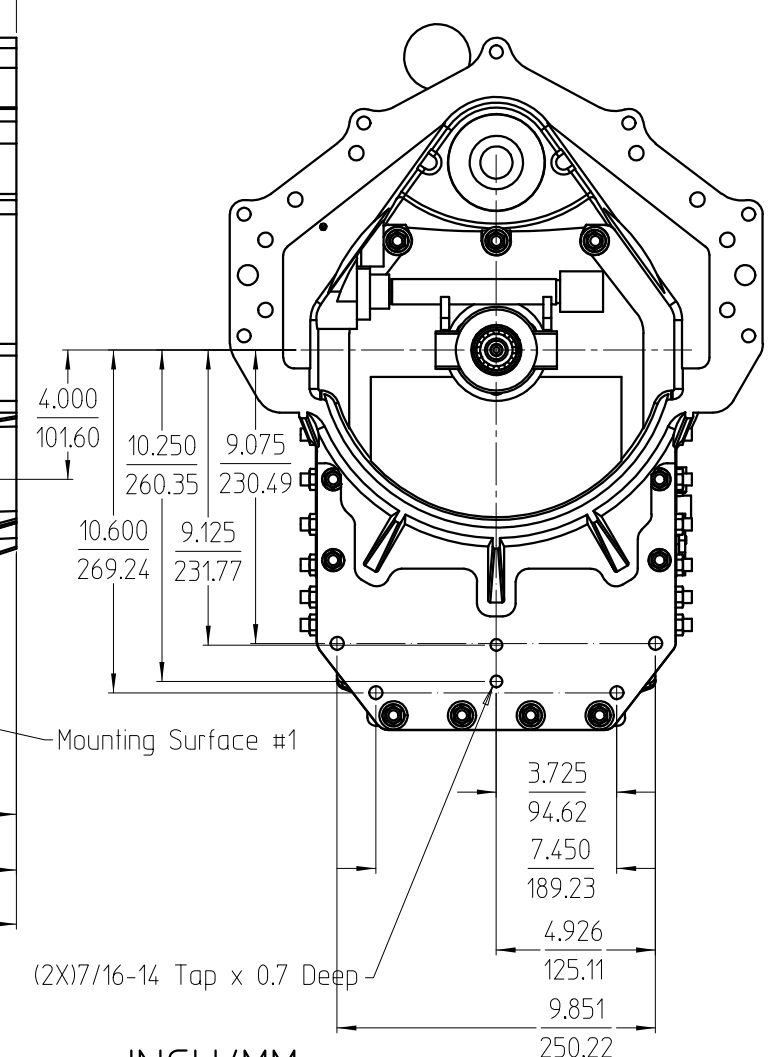
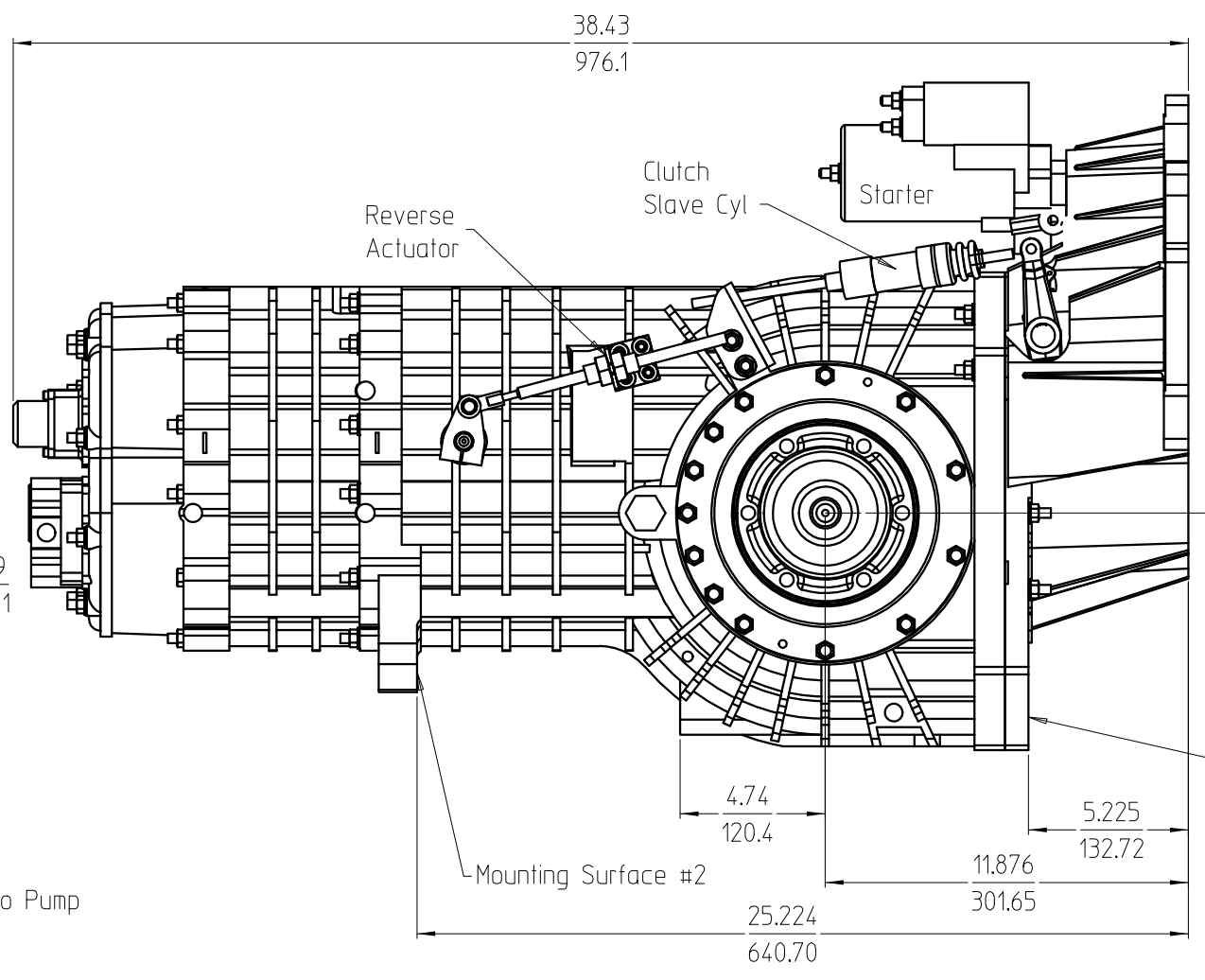
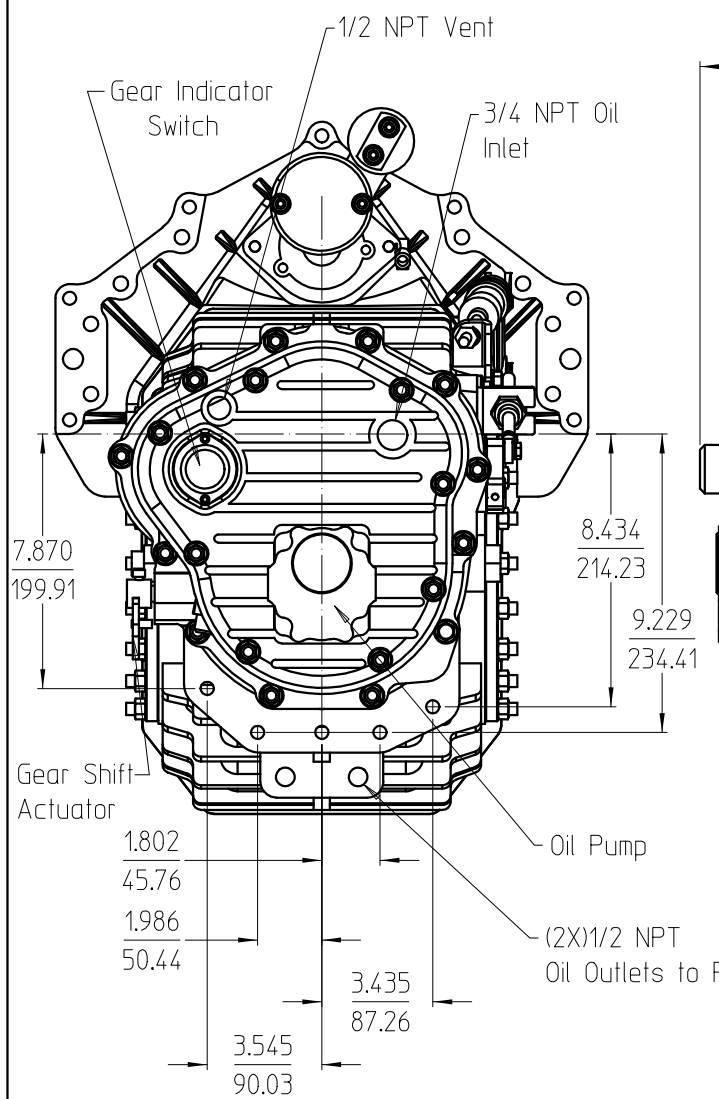
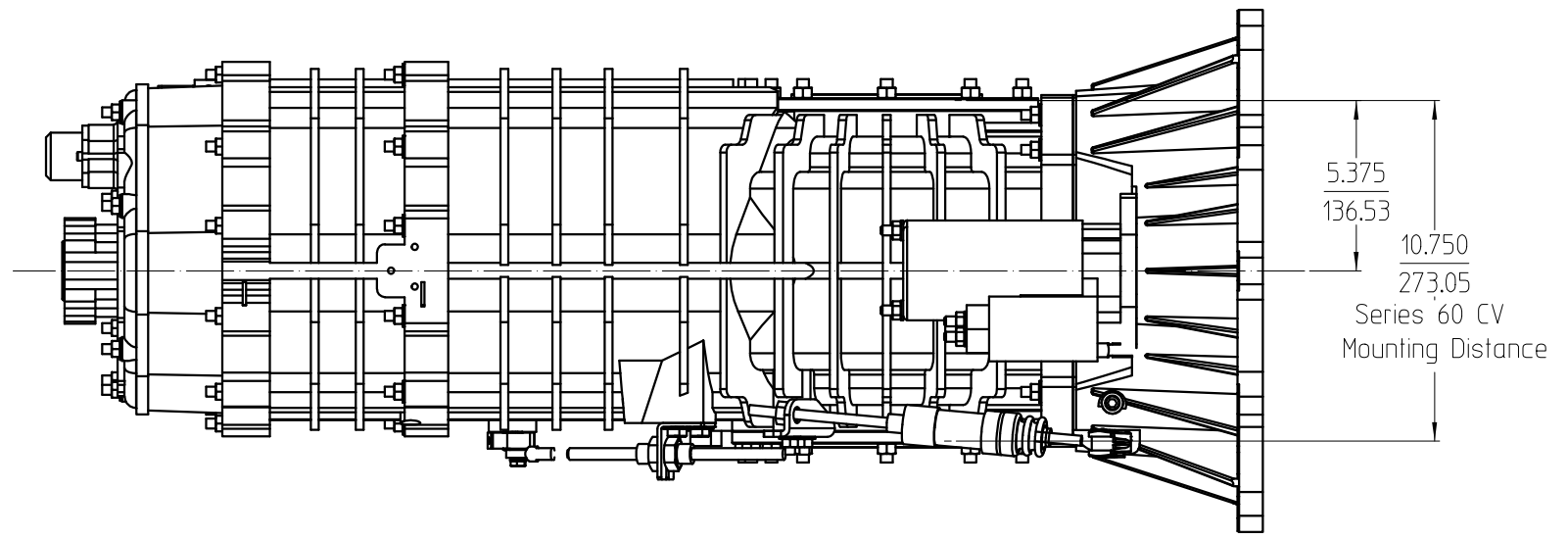


SYM	REVISIONS	APPROVED	DATE
1	AS BUILT		03/24/07



NOTES:
1. Bell Housing fits standard small block chevy engines

INCH/MM

ITEM	QTY.	MATERIAL-DESCRIPTION	MATL-PART NO.	MATL-OWB NO.	MATL-SPEC.
UNLESS OTHERWISE SPECIFIED -DIMENSIONS ARE IN INCHES -THIRD ANGLE PROJECTION -TOLERANCES XXX +0.02 PL. XXX -0.010 PL.					
DESIGNED BY	DATE	TITLE		PART NAME	
ENGINEER	03/24/07	HD Installation Chevy Bellhousing		Mendeola Transaxles	
RELEASE TO PROD.		NEXT ASSEMBLY	SCALE	PART NUMBER	
DO NOT SCALE THIS DRAWING	SUPERSEDES DWS.	FINISH	Half	E-HD-Chevy	