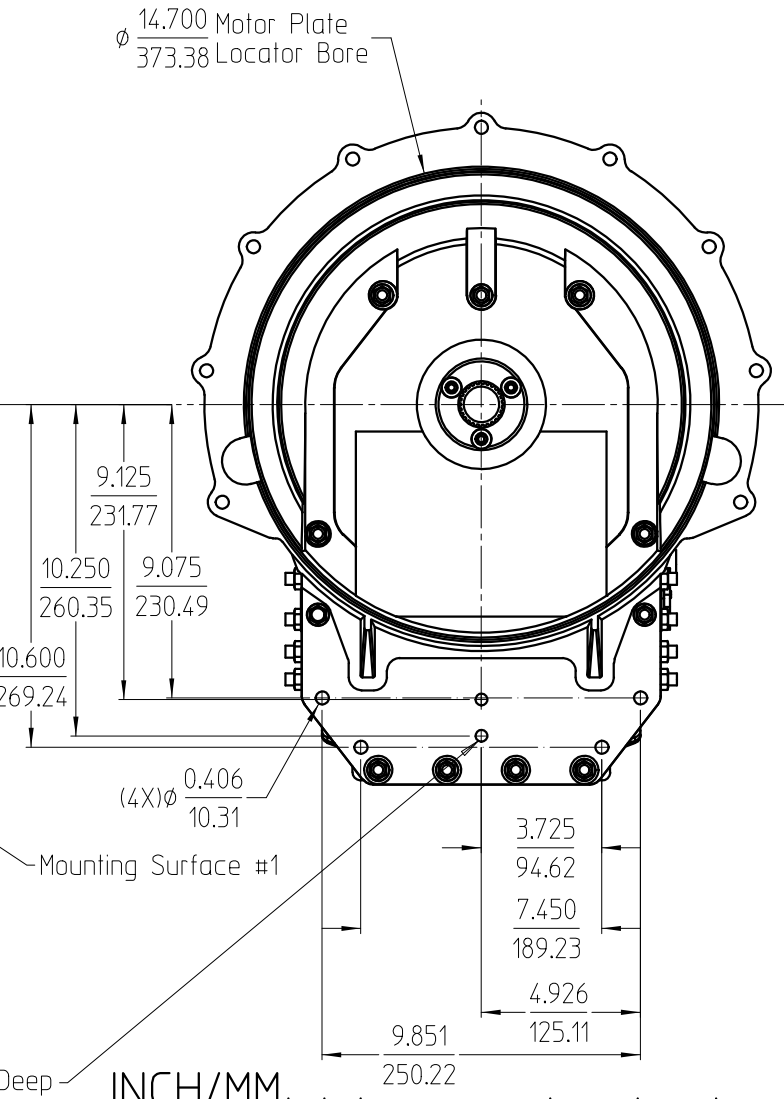
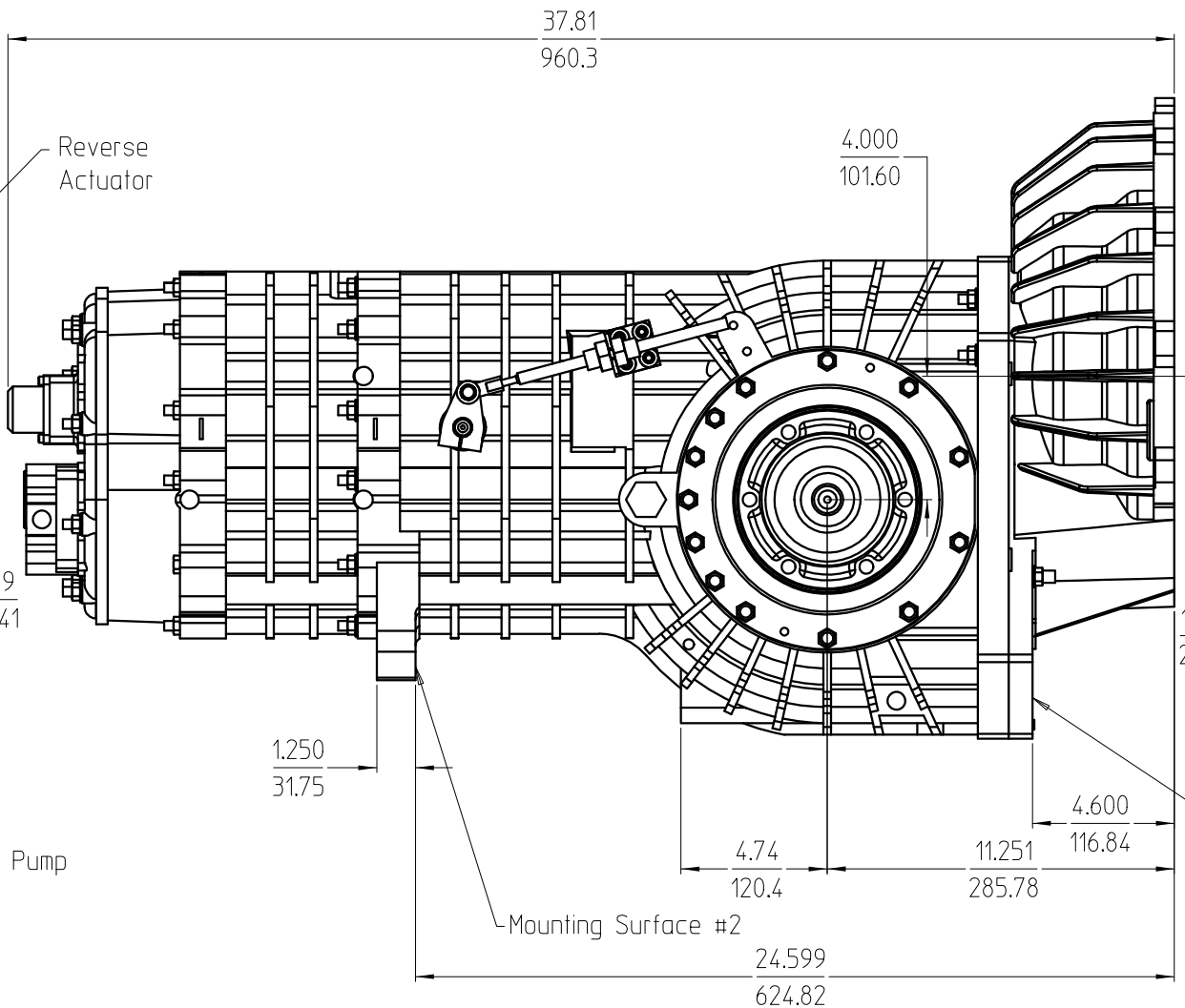
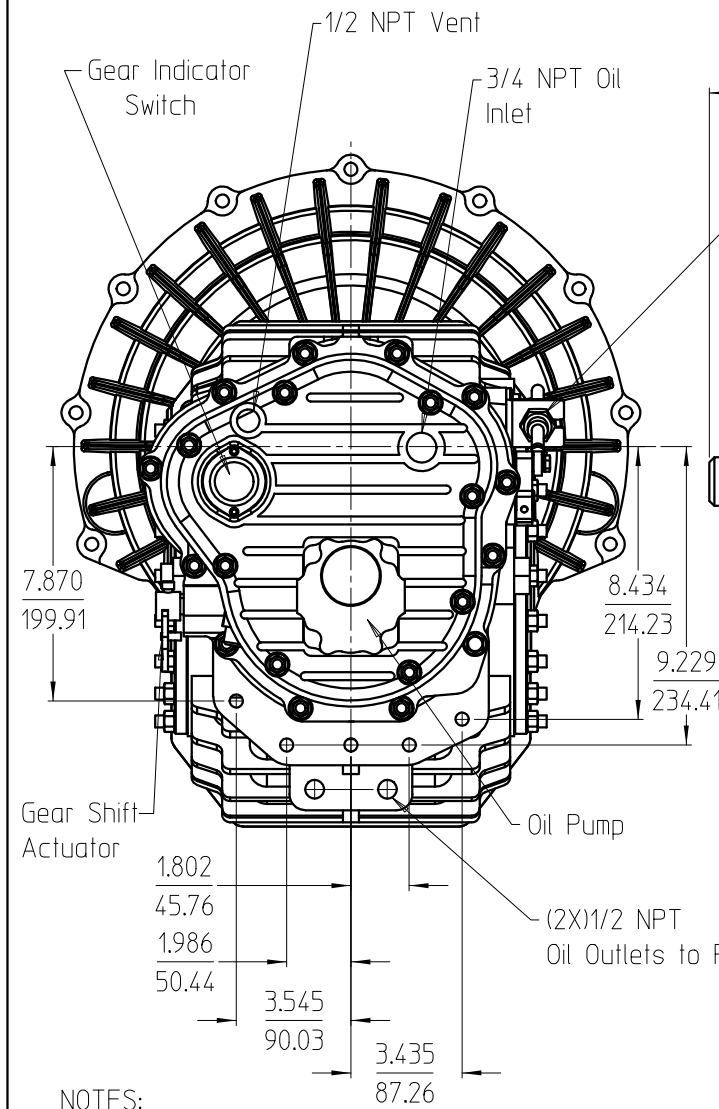
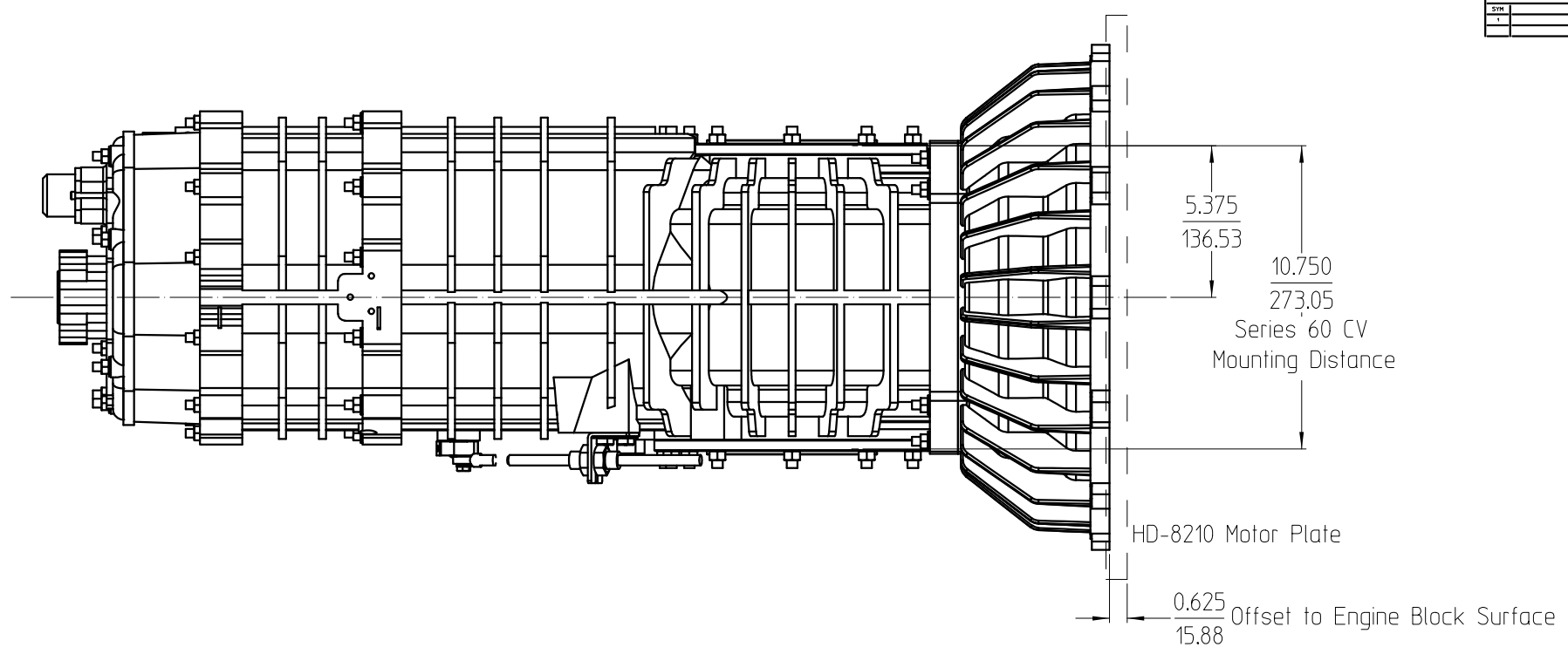


REV	REVISIONS	APPROVED	DATE
1	AS SHOWN		03/24/07



NOTES:  
1. Bell Housing is for the torque converter style of transaxle.  
Must be bolted to a 0.625" thick motor plate to ensure correct spacing from the back of the engine block.

(2X)7/16-14 Tap x 0.7 Deep INCH/MM

ITEM	QTY.	MATERIAL DESCRIPTION	MATL. PART NO.	MATL. DWG. NO.	MATL. SPEC.
UNLESS OTHERWISE SPECIFIED -DIMENSIONS ARE IN INCHES -THIRD ANGLE PROJECTION -TOLERANCES					
DESIGNED BY		DATE	HD Installation		
ENGINEER	M. Alliean	03/24/07	Torque Converter Style		
RELEASE TO PROD.		NEXT ASSEMBLY	Mendeola Transaxles		
DO NOT SCALE THIS DRAWING	SUPERSEDES DESIG.	FINISH	SCALE	Half	PART NUMBER E-HD-TC